



8 Ton Paddle Blender

Self Contained Hopper, Blender, & Scale

Home of Worldwide Quality Blending, Conveying, Tending, & Spreading Products!



**Powder Coated
3/16" #409
Stainless
Steel, Tub**

**Fairfield
Planetary Gear
Reducer**

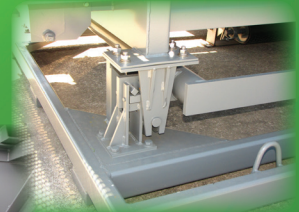
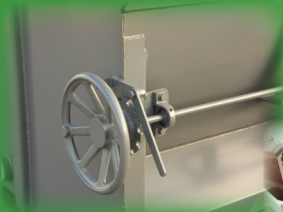
**Manual
Discharge Gate**



**Patented Rotor
and Paddle
Design offers
Superior Blend-
ing and Cuts
Discharge Time
In Half**

**Rice Lake Knife
and Pivot Scale**

**Automatic
Chain Oiler**

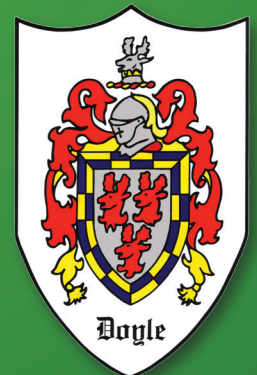


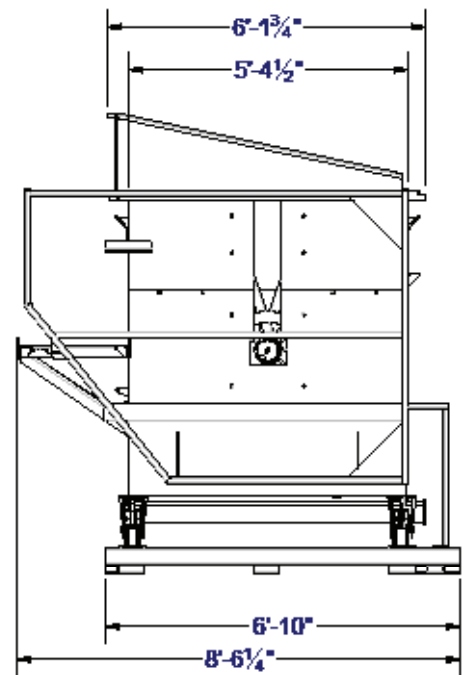
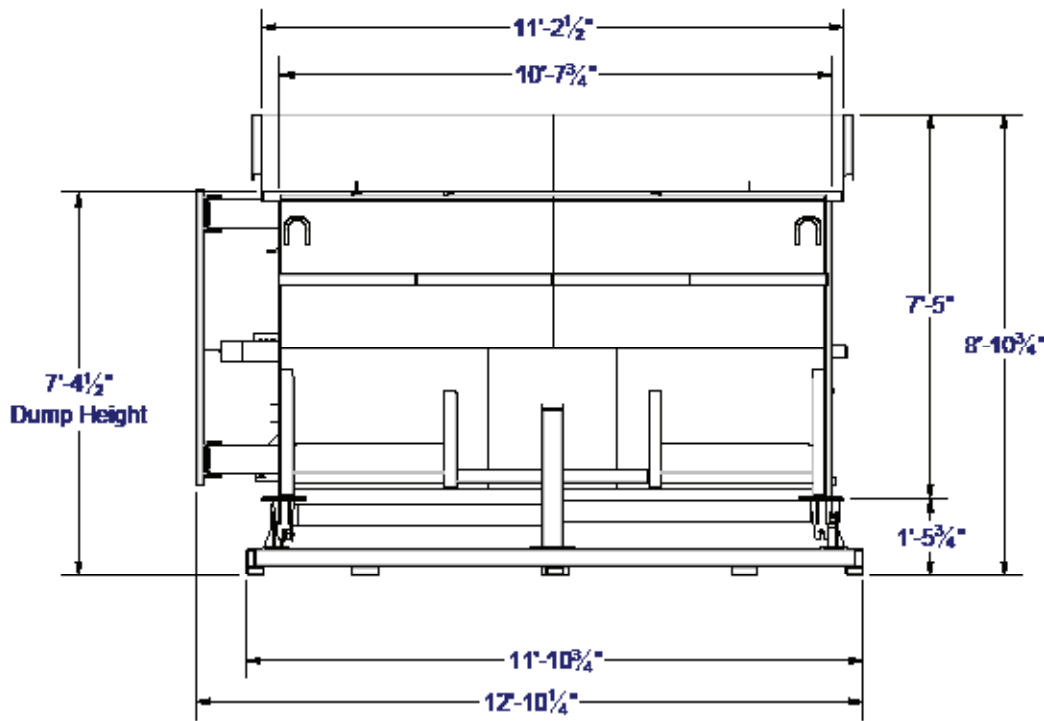
Doyle Equipment Mfg. Co., Inc.

4001 Broadway, P.O. Box 3024, Quincy, IL 62305

Toll Free: 800-788-8085 Fax: 217-223-3655

E-mail: doyle@doylemfg.com Web Site: www.doylemfg.com





The Doyle 8 Ton Paddle Blender is self contained, so it will work in spaces where conventional blenders couldn't begin to fit. Moving parts are at a minimum for low maintenance. The open top hopper is not only ideal for impregnating chemicals into the blend, but it also allows for thorough cleaning between loads.

Standard Features:

- 3/16" 409 stainless steel Tub construction, all metal shot blasted and powder coated
- Fairfield planetary gear reducer
- 40 h.p. TEFC 3-phase motor
- 140 pitch roller chain, complete with chain oiler (bath type)
- Rice Lake knife and pivot scale, with loadcell
- 2" x 4" scale frame, mild steel square tubing construction, with 2" x 4" 304 stainless steel blocks
- Rice Lake 420 HE digital read-out with 2" LED display
- Expanded metal screen, 1-1/2" #6 grating
- Manually controlled discharge gate
- All seams continuously welded, both sides
- All mild steel is shot blasted, and powder coated
- Includes mild steel ladder
- Factory assembled & tested

Optional Features:

- Hydraulically controlled discharge gate